

FR188

WR-19 waveguide isolator



MicroHarmonics

Superior mm-Wave Components

- ◆ Anti-cocking waveguide flanges
- ◆ Comprehensive test data
- ◆ Lowest insertion loss
- ◆ High isolation
- ◆ Compact size
- ◆ Diamond heatsinks
- ◆ Resist stray magnetic fields
- ◆ Internal waveguide screw access

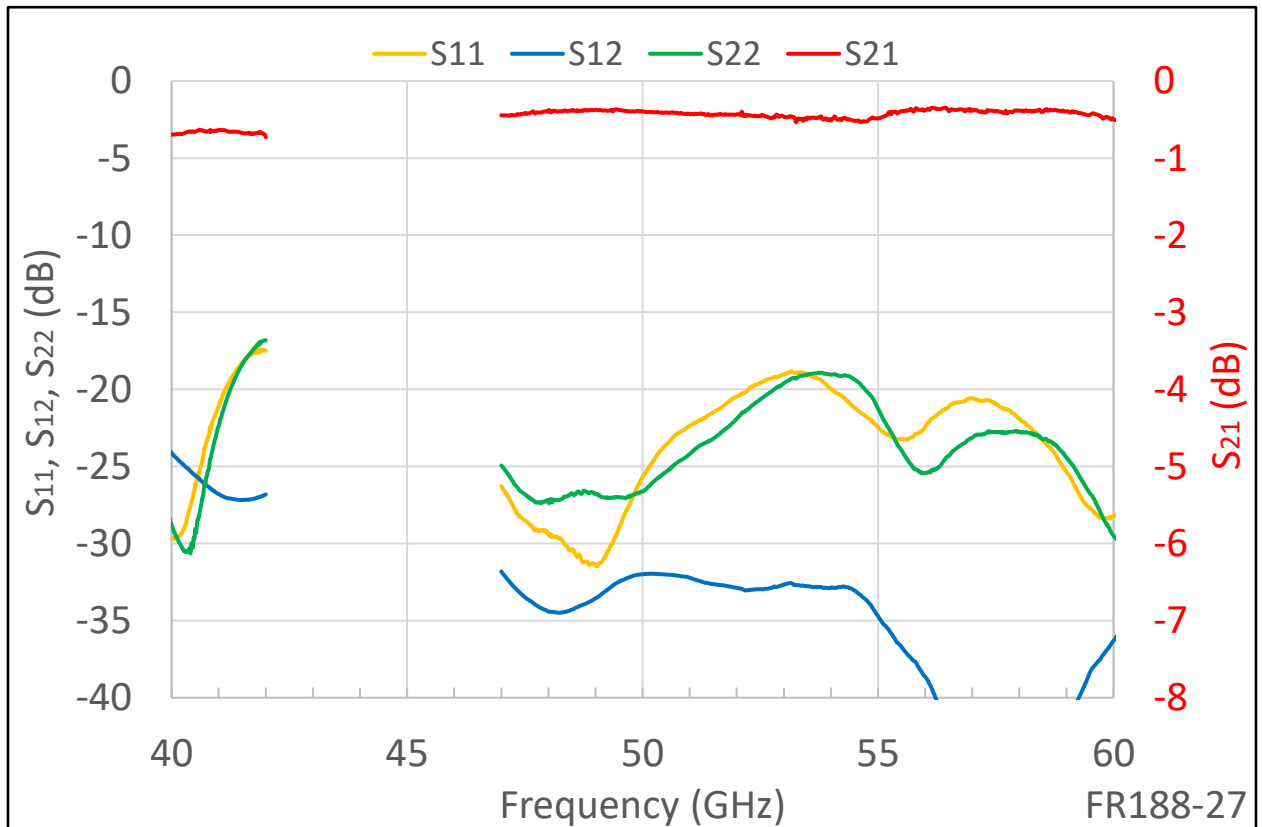


Specifications

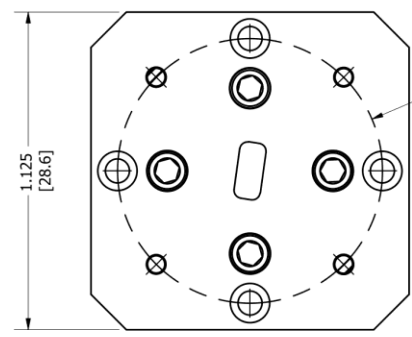
Flange	WR-19 UG-383/UM
Frequency (GHz)	40-60
Insertion Loss (dB, avg)	0.5
Insertion Loss (dB, max)	1.3
Isolation (dB, typ min)	25
Input RL (dB, typ min)	19
Output RL (dB, typ min)	19
VSWR (typ max)	1.25:1
Max Reverse Power (W)	4.3
Diamond Heatsink	Yes
Weight (Oz [g])	

Test data measured and synthesized using WR-28 and WR-15 extenders with tapers

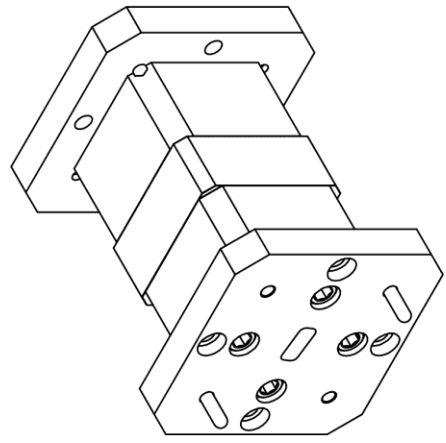
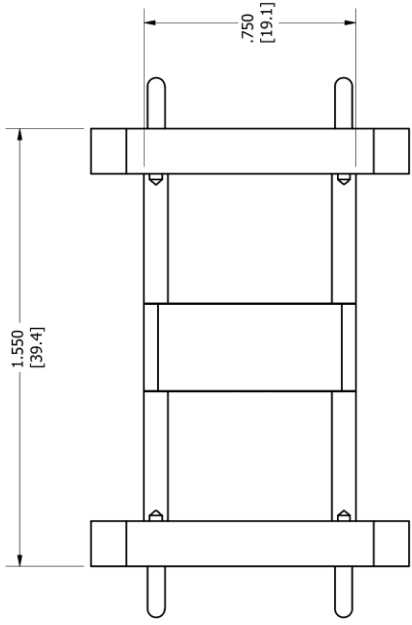
Every isolator is tested on a vector network analyzer to verify performance and the test data is provided.



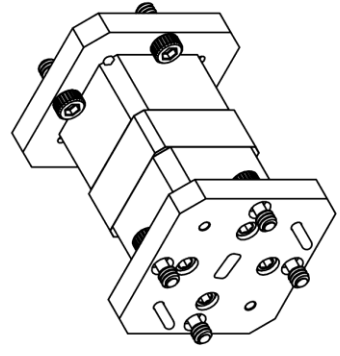
8	Micro Harmonics		Proprietary - Micro Harmonics Corporation		7		
	Date		8/29/2023		6		
5		ZONE		REV		4	
3		REVISION HISTORY		DESCRIPTION		DATE	
2		RELEASE TO CUSTOMER		RELEASE TO CUSTOMER		8/29/23	
1		APPROVED		MK		1	



MATES WITH UG-383/UM FLANGE
WR-19 WAVEGUIDE



THIS DEVICE ALLOWS FOR WAVEGUIDE SCREW ACCESS AS DEMONSTRATED BELOW



PART NUMBER / DESCRIPTION		Micro Harmonics Corporation	
FR188-383-Dimension Drawing		20 S Roanoke St, Ste 202	
PAGE NUMBER	DRAWN BY:	SIZE:	DWG. UNITS:
1 of 1	SCS	B	INGHES
APPROVAL	JTK - 2/20/2024	COMPONENT WEIGHT	51.6 GRAMS
		1.8 OUNCES	

Micro Harmonics Corporation
20 S Roanoke St, Ste 202
Fincastle, VA 24090
ph. 540.473.9983
fax 844.449.1561

REV: -