

FR090

WR-9 waveguide isolator



MicroHarmonics

Superior mm-Wave Components

- ◆ Anti-cocking waveguide flanges
- ◆ Comprehensive test data
- ◆ Lowest insertion loss
- ◆ High isolation
- ◆ Compact size
- ◆ Diamond heatsinks
- ◆ Resist stray magnetic fields



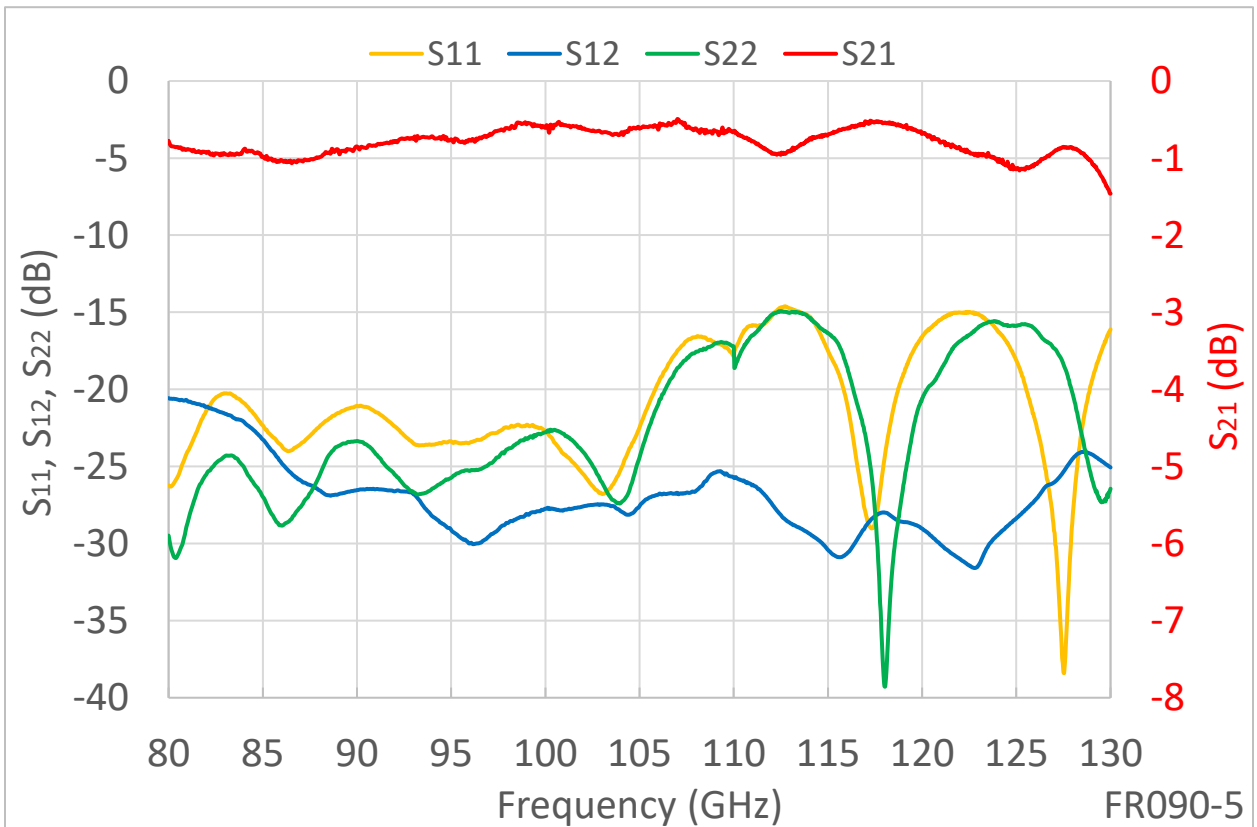
Specifications

Flange†	WR-9† UG-387/UM
Frequency (GHz)	82-122
Insertion Loss (dB, avg)	0.9
Insertion Loss (dB, max)	2.3
Isolation (dB, typ min)	21
Input RL (dB, typ min)	16
Output RL (dB, typ min)	17
VSWR (typ max)	1.4:1
Max Reverse Power (W)	2.7
Diamond Heatsink	Yes
Weight (Oz [g])	0.5 [14]

Test data measured and synthesized using WR-10 and WR-8 extenders.

† WR-9 is a non-standard band (90 x 45 mils).

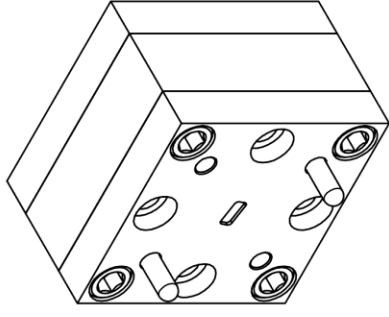
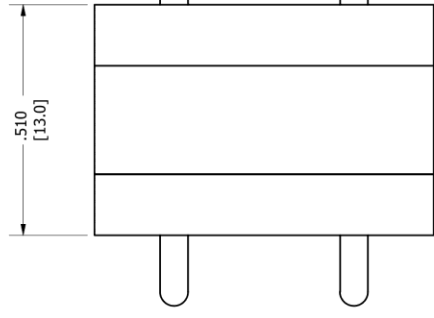
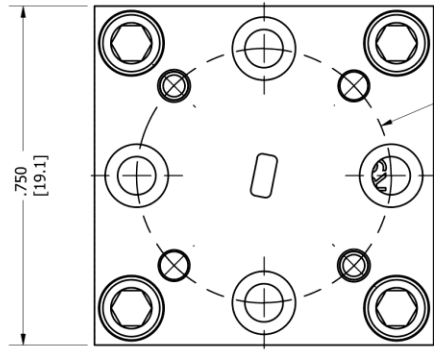
Every isolator is tested on a vector network analyzer to verify performance and the test data is provided.



8	Proprietary - Micro Harmonics Corporation		REVISION HISTORY		1
	Date 8/26/2024		DESCRIPTION		
7	Date 8/26/2024		RELEASE TO CUSTOMER		2
6					3
5					4
4					3
3					2
2					1
1					1

ZONE	REV	DATE	APPROVED
	-	8/26/2024	SCS

Micro Harmonics	Proprietary - Micro Harmonics Corporation
	Date 8/26/2024



PART NUMBER - DESCRIPTION		Micro Harmonics Corporation	
FR090-Dimension Drawing		20 S Roanoke St, Ste 202	
PAGE NUMBER	DRAWN BY:	DWG. UNITS:	Fincastle, VA 24090
1 of 1	SCS B	INCHES	ph. 540.473.9983
APPROVAL	JTK - 8/29/2024	COMPONENT WEIGHT	REV: -
		14.3 GRAMS	fax 844.449.1561
		.50 OUNCES	