

# YC148-68

WR-15 Y-junction circulator



**MicroHarmonics**

*Superior mm-Wave Components*

65-70 GHz Bandwidth

## Specifications

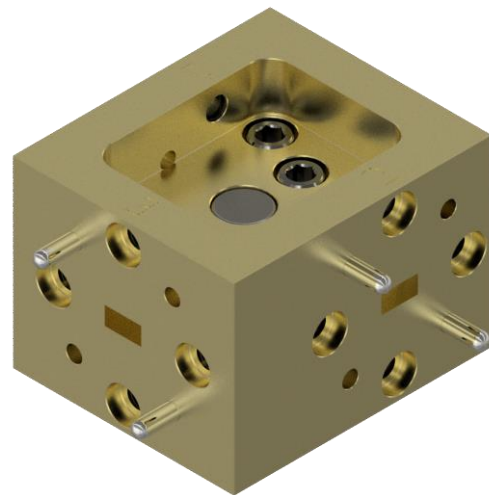
Flange	WR-15 UG-385/U
Frequency (GHz)	65-70
Insertion Loss (dB, avg)	0.3
Insertion Loss (dB, max)	0.7
Isolation (dB, min)	18
Return Loss (dB, typ min)	18
VSWR (typ max)	1.3:1
Maximum Power (W)	3.0

### WR-15 Y-Junction Circulator

Y-junction circulators are a good solution in applications with moderate to low bandwidth requirements. Peak isolation and minimum port reflections naturally occur in the same part of the band yielding optimum performance.

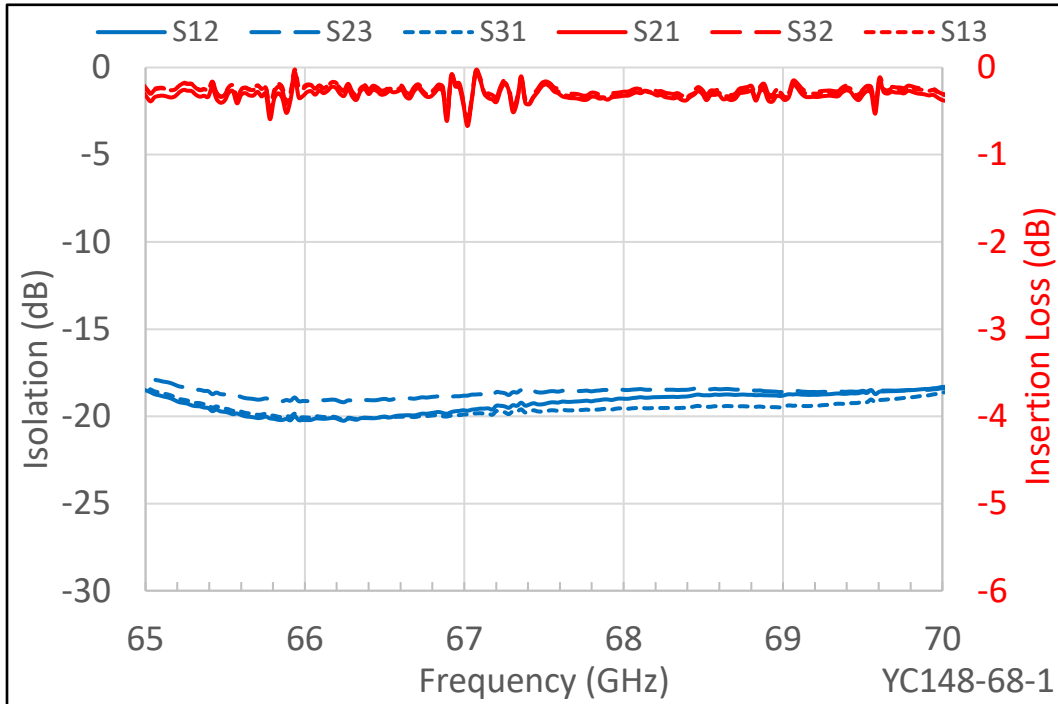
All impedance matching is done through precision machining of the internal waveguide structures. No complicated dielectric elements are used. This approach yields a more repeatable and symmetric response between the three circulator ports. The three ports are equidistant from the ferrite disc.

- ◆ **Widest bandwidth for Y-junction**
- ◆ **Internal waveguide screw access**
- ◆ **Anti-cocking waveguide flanges**
- ◆ **Compact, light-weight design**
- ◆ **Resists stray magnetic fields**
- ◆ **Comprehensive test data**
- ◆ **Low insertion loss**

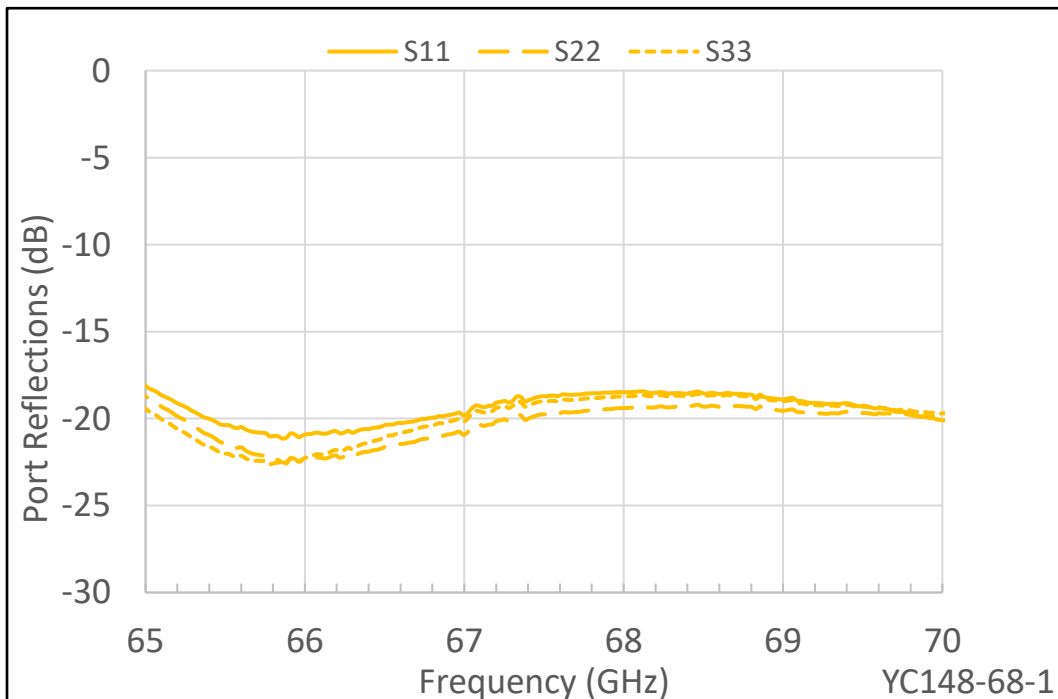




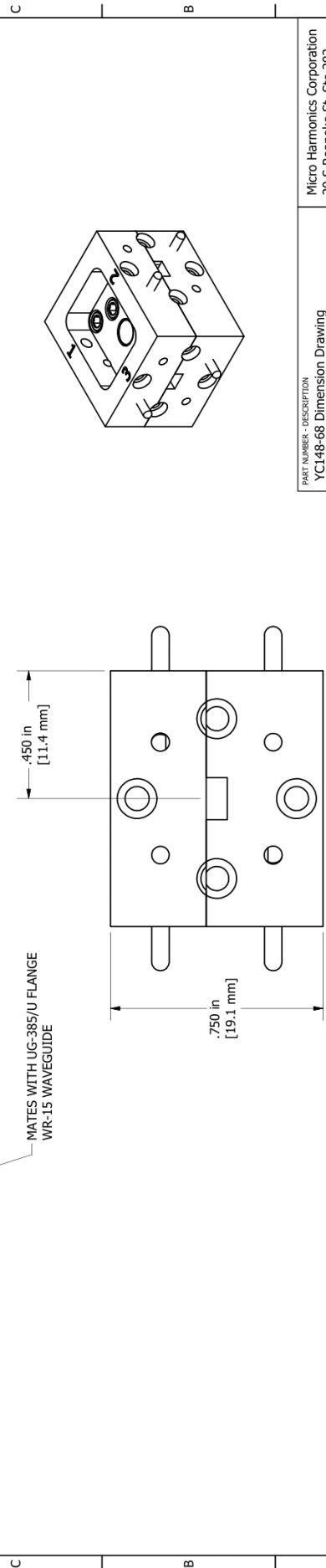
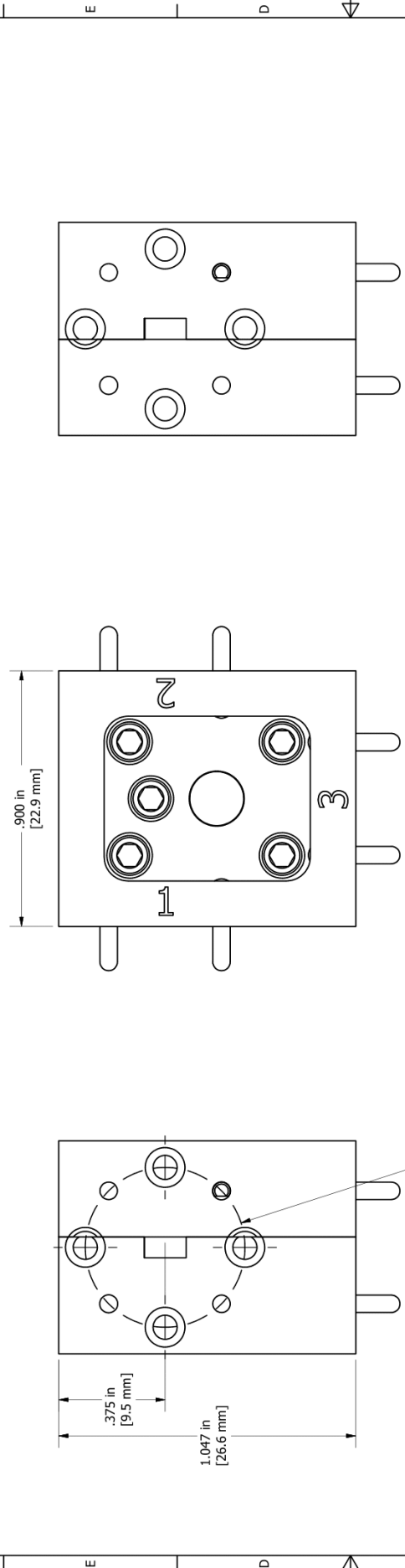
## Insertion Loss and Isolation



## Port Reflections



Micro Harmonics	Proprietary - Micro Harmonics Corporation		REVISION HISTORY		1		
	Date	9/13/2023	ZONE	REV		DESCRIPTION	DATE
						10/3/23	MK
							RELEASE TO CUSTOMER



PART NUMBER - DESCRIPTION		Micro Harmonics Corporation	
YC148-68 Dimension Drawing		20 S Roanoke St. Ste 202	
DWG. UNITS: DRAWN BY: INCHES SCS		Fincastle, VA 24090	
SIZE: B		ph. 540.473.9983	
PAGE NUMBER: 1 of 1		REV: 1	
APPROVAL		fax 844.449.1561	