

# YC100-93

WR-10 Y-junction circulator



**MicroHarmonics**

*Superior mm-Wave Components*

90-95 GHz Bandwidth

## Specifications

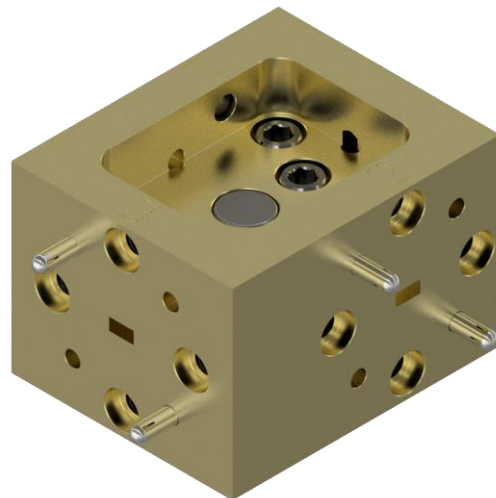
Flange	WR-10 UG-387/UM
Frequency (GHz)	90-95
Insertion Loss (dB, avg)	0.5
Insertion Loss (dB, max)	0.9
Isolation (dB, min)	18
Return Loss (dB, typ min)	19
VSWR (typ max)	1.25:1
Maximum Power (W)	3.0

### WR-10 Y-Junction Circulator

Y-junction circulators are a good solution in applications with moderate to low bandwidth requirements. Peak isolation and minimum port reflections naturally occur in the same part of the band yielding optimum performance.

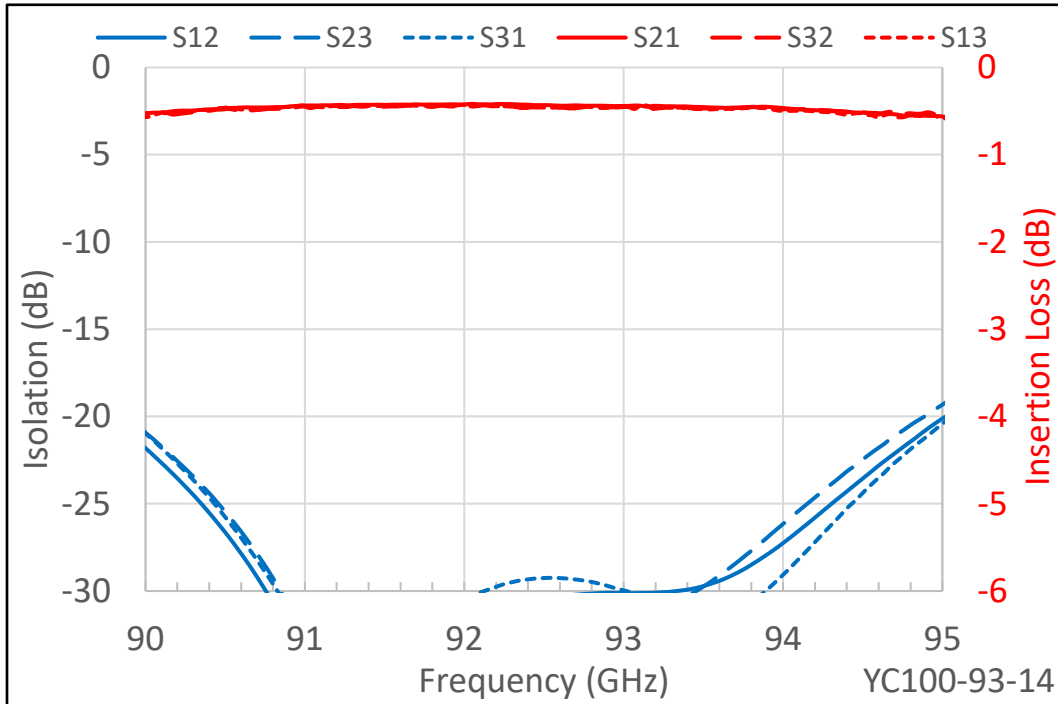
All impedance matching is done through precision machining of the internal waveguide structures. No complicated dielectric elements are used. This approach yields a more repeatable and symmetric response between the three circulator ports. The three ports are equidistant from the ferrite disc.

- ◆ **Widest bandwidth for Y-junction**
- ◆ **Internal waveguide screw access**
- ◆ **Anti-cocking waveguide flanges**
- ◆ **Compact, light-weight design**
- ◆ **Resists stray magnetic fields**
- ◆ **Comprehensive test data**
- ◆ **Low insertion loss**

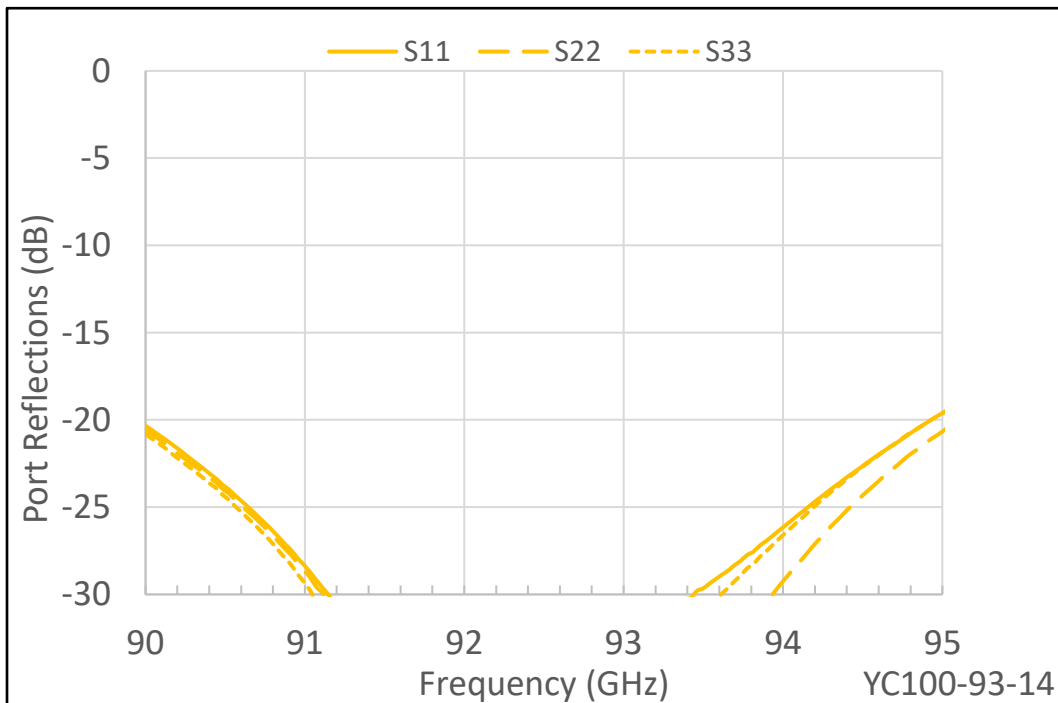




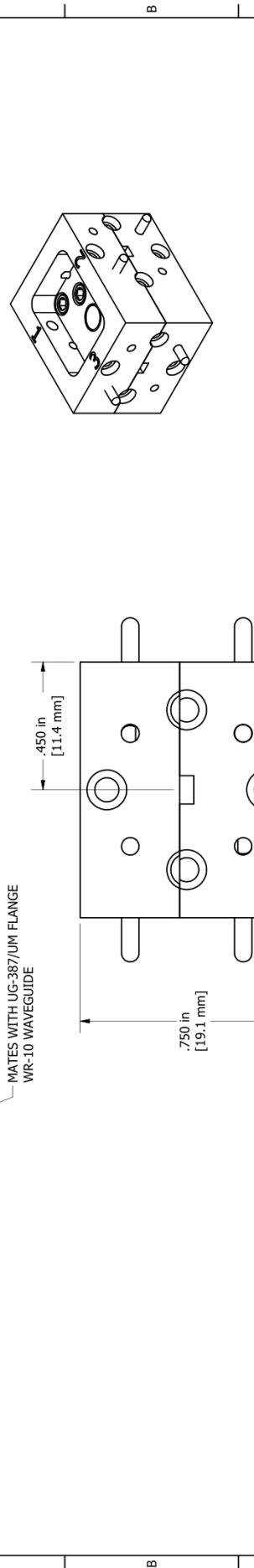
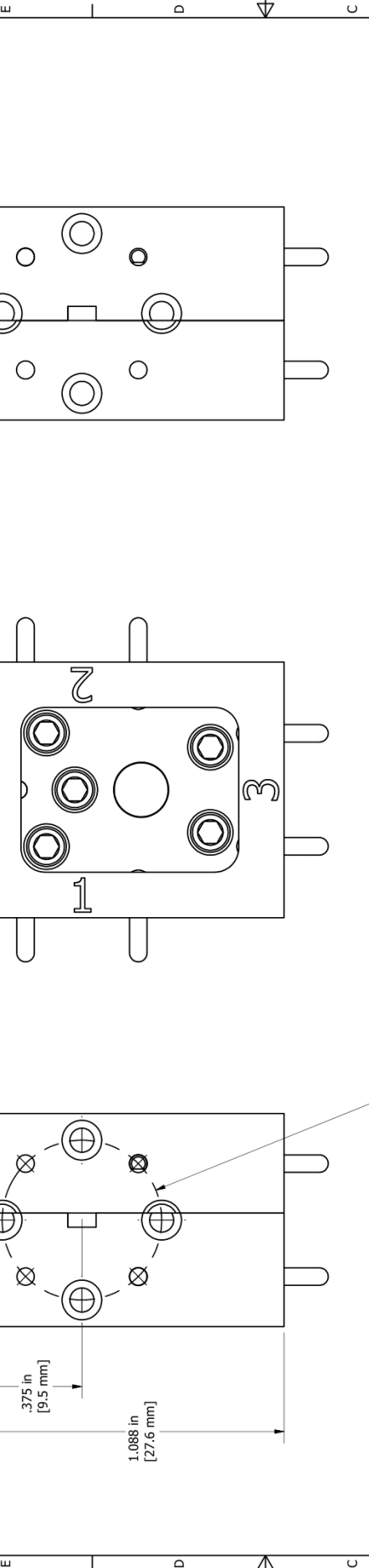
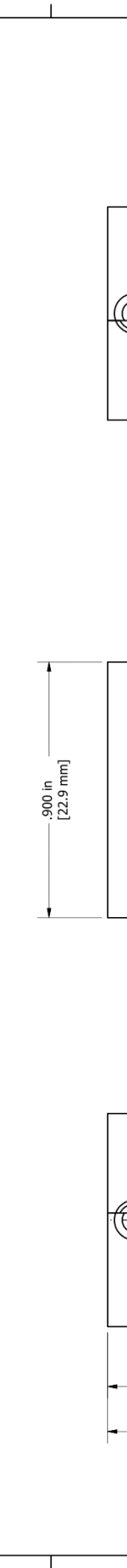
## Insertion Loss and Isolation



## Port Reflections



Micro Harmonics	Proprietary - Micro Harmonics Corporation		REVISION HISTORY	
	Date	9/13/2023	DESCRIPTION	DATE
			RELEASE TO CUSTOMER	10/3/23
				APPROVED
				MK



PART NUMBER - DESCRIPTION	Micro Harmonics Corporation
DWG. UNITS: DRAWN BY:	20 S Roanoke St. Ste 202
INCHES SCS	Fincastle, VA 24090
APPROVAL	ph. 540.473.9983
	fax 844.449.1561
SIZE:	1 of 1
PAGE NUMBER:	
1 of 1	

MATES WITH UG-387/UM FLANGE  
WR-10 WAVEGUIDE